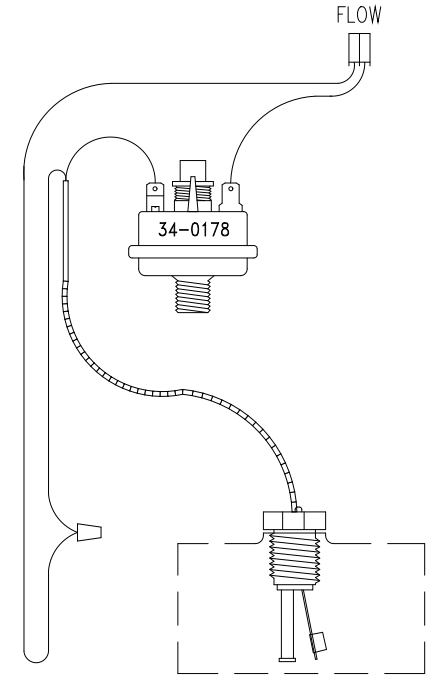
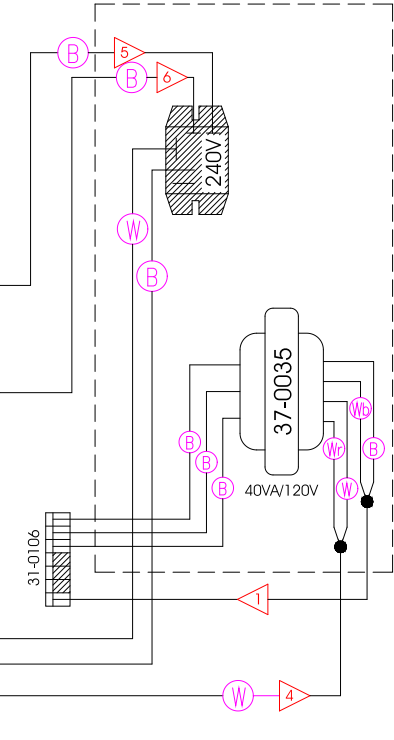
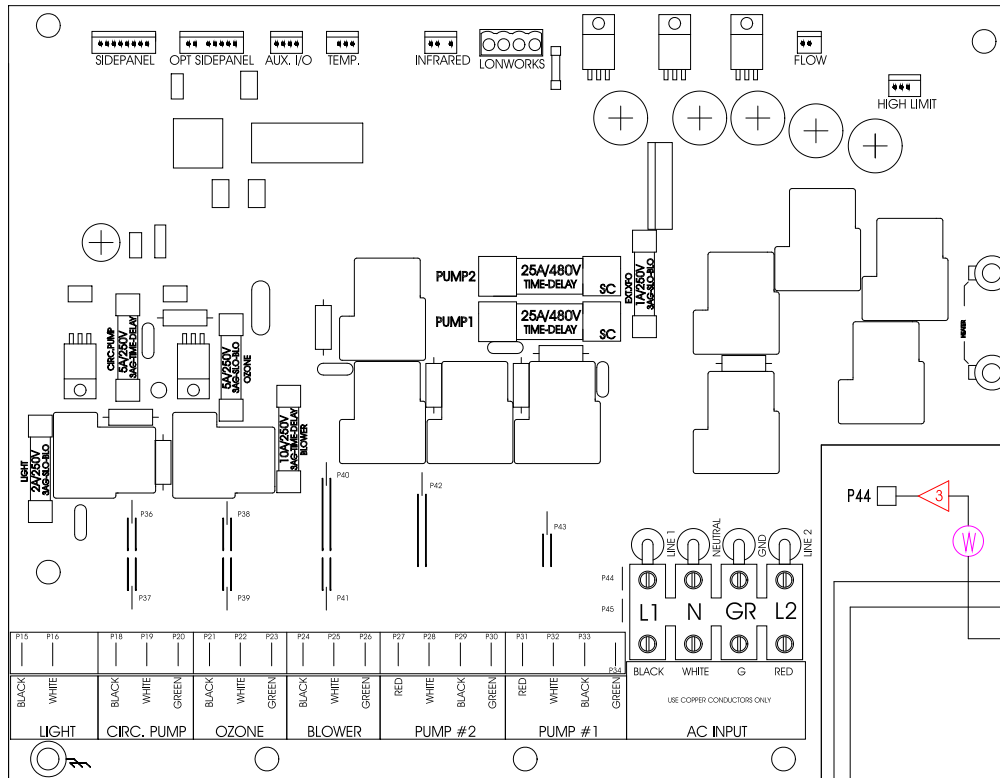


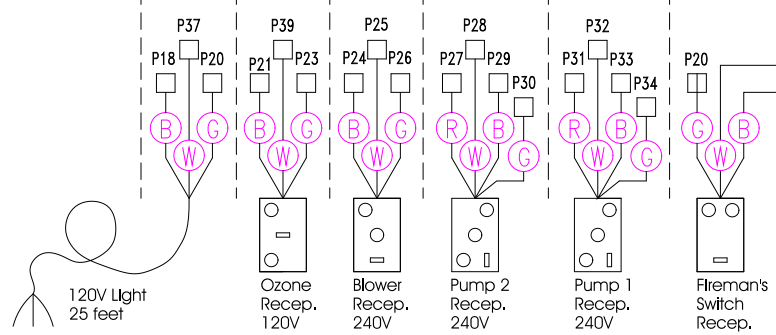
13-0014A

33-0025-R5

Parts located inside the dotted line are located behind PCB.



PRESSURE/FLOW SWITCH WIRING



LEGEND	
	- 1/4" QUICK CONNECT
	- 1/4" PIGGYBACK
	- FORK CONNECTOR
	- RING CONNECTOR
	- SOCKET CONNECTOR
	- PIN CONNECTOR

HYDROQUIP

13345 Estelle St.
Corona, CA 92879
Phone: (909) 273-7575 Fax: (800) 332-7190

Manufacture Notes: on Contactor indicates capacitor.

SHADED COMPONENTS ARE 240V

Dwg. No.: G222AH-KLPQY-J

Drawn By: WR

Rev. 16

Reviewed By:

Date: 04.18.03

Diagram No.: 5103

Wire Color Code

B - Black	G - Green
Br - Brown	Bl - Blue
R - Red	V - Violet
O - Orange	W - White
Y - Yellow	Gr - Gray